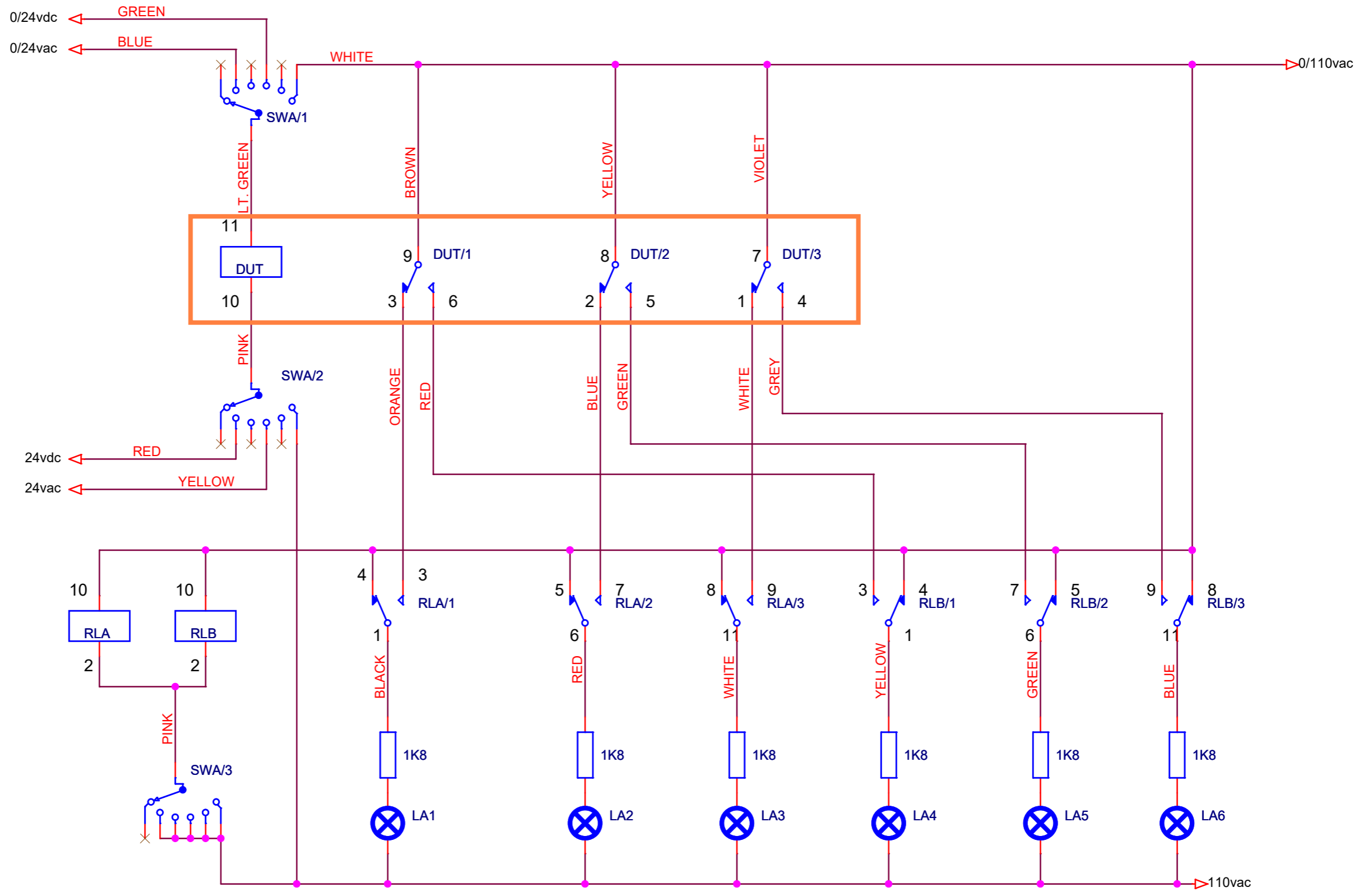


DUT = Device Under Test. Pin out shown is for FRP11 base



Test Rig Relay tester.

Any comments on this diagram: please email Diagrams@Blunham.com

Title		
Relay tester - built into EHV110		
Size	Document Number	Rev
A4	Drawn and designed by Colin Hinson © 2012	A
Date:	Friday, February 16, 2018	Sheet 1 of 1