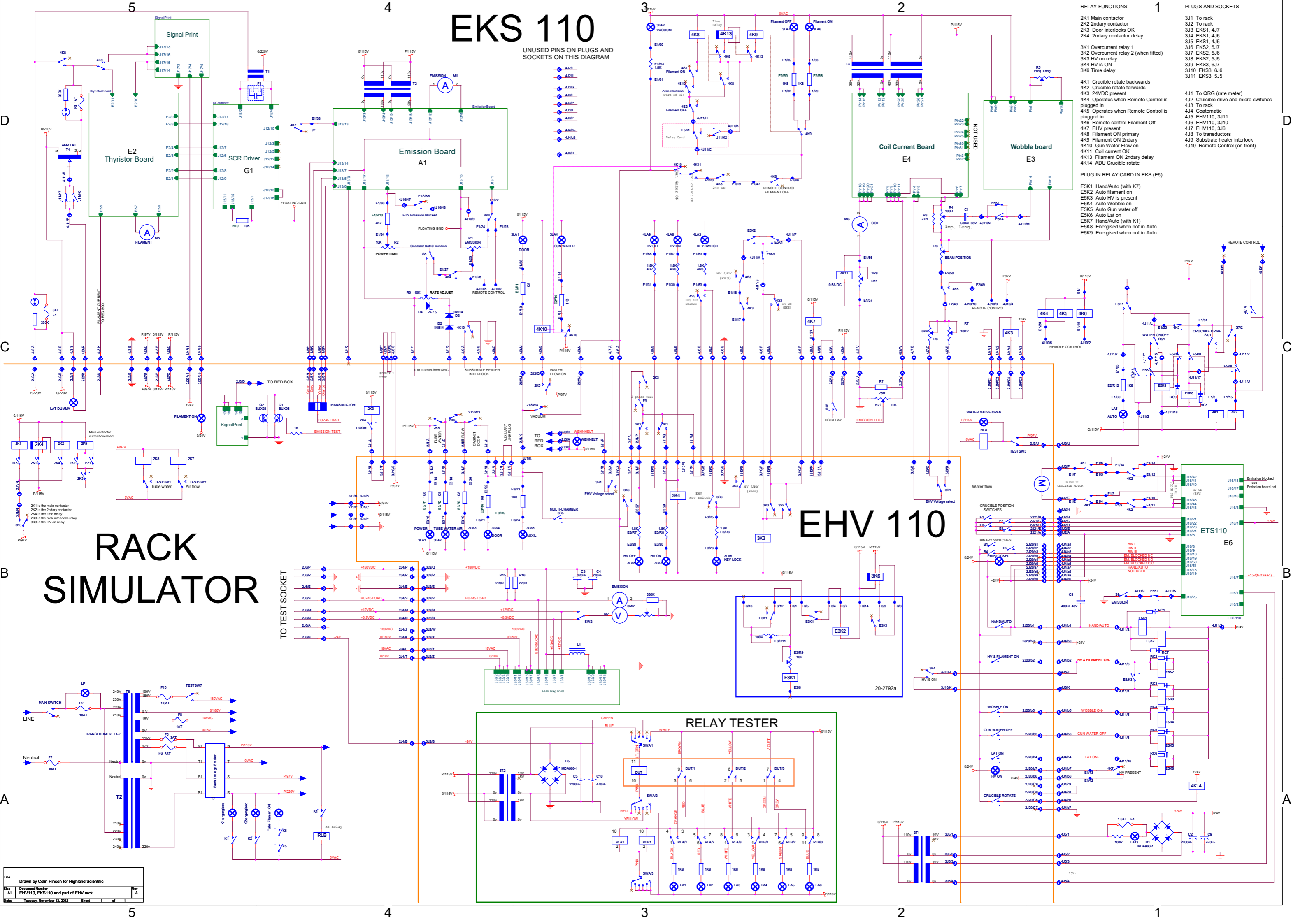


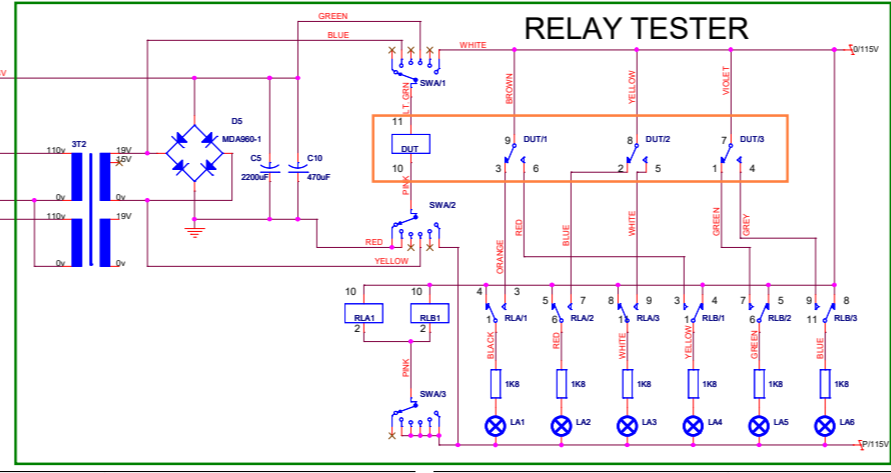
EKS 110

UNUSED PINS ON PLUGS AND SOCKETS ON THIS DIAGRAM



RACK SIMULATOR

EHV 110



- RELAY FUNCTIONS:-**
- 2K1 Main contactor
 - 2K2 2ndary contactor
 - 2K3 Door interlocks OK
 - 2K4 2ndary contactor delay
 - 3K1 Overcurrent relay 1
 - 3K2 Overcurrent relay 2 (when fitted)
 - 3K3 HV on relay
 - 3K4 HV is ON
 - 3K6 Time delay
 - 4K1 Crucible rotate backwards
 - 4K2 Crucible rotate forwards
 - 4K3 24VDC present
 - 4K4 Operates when Remote Control is plugged in
 - 4K5 Operates when Remote Control is plugged in
 - 4K6 Remote control Filament Off
 - 4K7 EHV present
 - 4K8 Filament ON primary
 - 4K9 Filament ON 2ndary
 - 4K10 Gun Water Flow on
 - 4K11 Coil current OK
 - 4K13 Filament ON 2ndary delay
 - 4K14 ADU Crucible rotate
- PLUGS AND SOCKETS**
- 3J1 To rack
 - 3J2 To rack
 - 3J3 EKS1, 4J7
 - 3J4 EKS1, 4J6
 - 3J5 EKS1, 4J5
 - 3J6 EKS2, 5J7
 - 3J7 EKS2, 5J6
 - 3J8 EKS2, 5J5
 - 3J9 EKS3, 6J7
 - 3J10 EKS3, 6J6
 - 3J11 EKS3, 6J5
 - 4J1 To QRG (rate meter)
 - 4J2 Crucible drive and micro switches
 - 4J3 To rack
 - 4J4 Coautomatic
 - 4J5 EHV110, 3J11
 - 4J6 EHV110, 3J10
 - 4J7 EHV110, 3J6
 - 4J8 To transducers
 - 4J9 Substrate heater interlock
 - 4J10 Remote Control (on front)
- PLUG IN RELAY CARD IN EKS (E5)**
- E5K1 Hand/Auto (with K7)
 - E5K2 Auto filament on
 - E5K3 Auto HV is present
 - E5K4 Auto Wobble on
 - E5K5 Auto Gun water off
 - E5K6 Auto Lat on
 - E5K7 Hand/Auto (with K1)
 - E5K8 Energised when not in Auto
 - E5K9 Energised when not in Auto