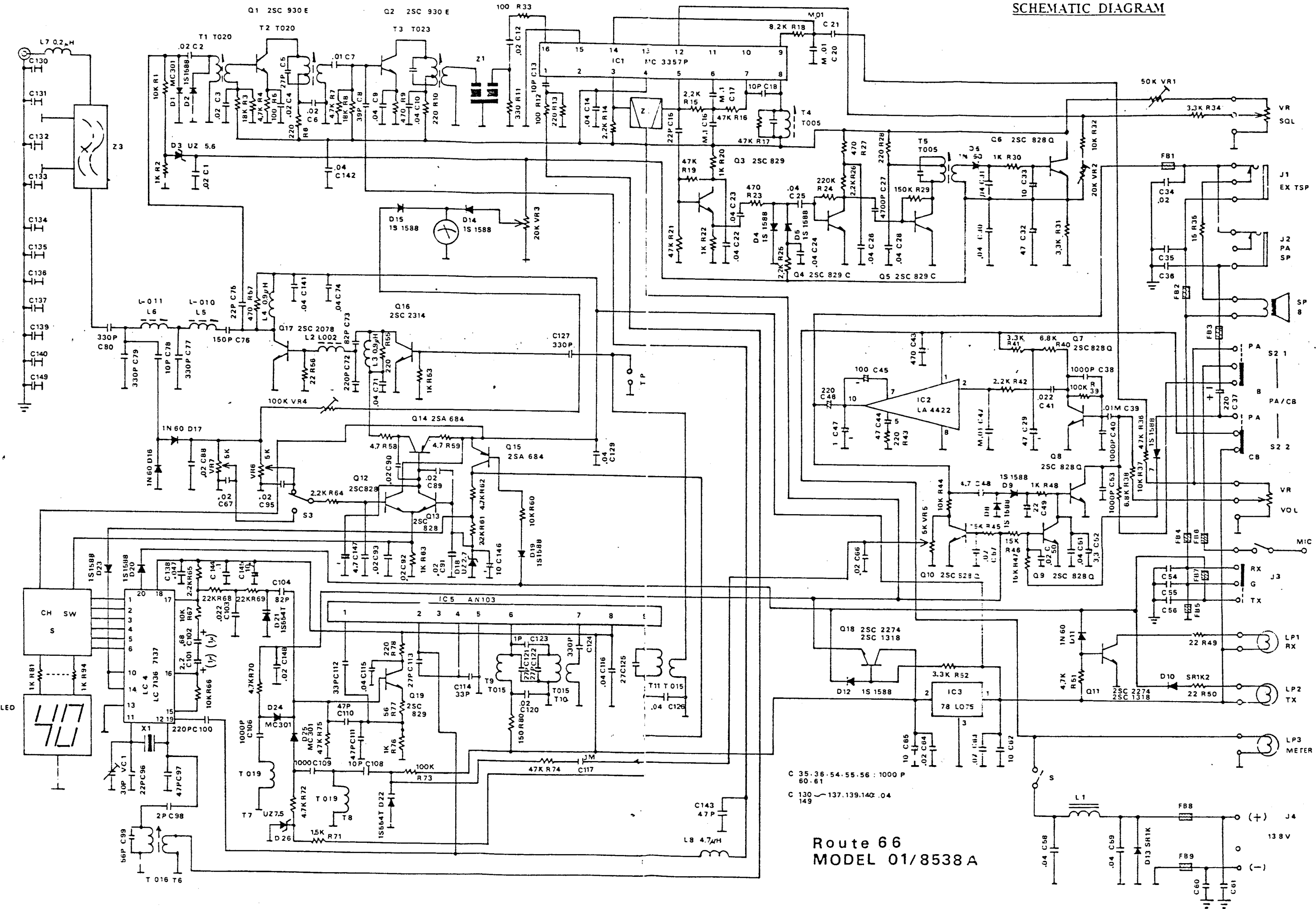


SCHMATIC DIAGRAM



C 35.36.54.55.56 : 1000 P
60.61
C 130 ~ 137.139.140 .04
149

Route 66
MODEL 01/8538 A

138V