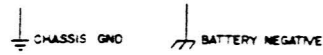
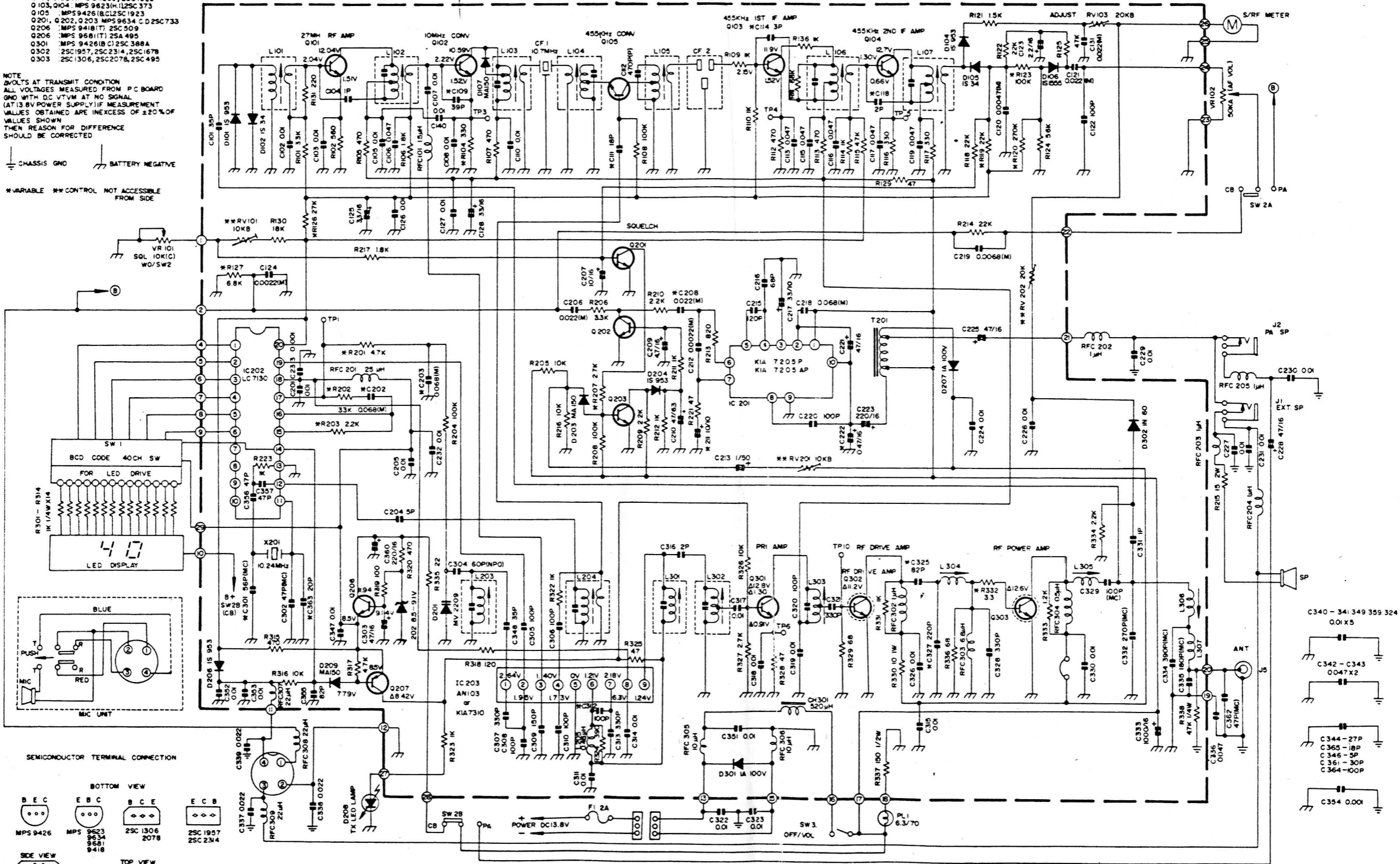


- Q101, Q102: MPS 9426C, 25C1923
- Q103, Q104: MPS 9623(H), 25C373
- Q105: MPS 9426 (B,C), 25C1923
- Q201, Q202, Q203: MPS 9634 C, D, 25C733
- Q206: MPS 9418(I), 25C509
- Q206: MPS 958(I), 25A495
- Q301: MPS 9426(B,C), 25C366A
- Q302: 25C1957, 25C2314, 25C1678
- Q303: 25C1306, 25C2078, 25C495

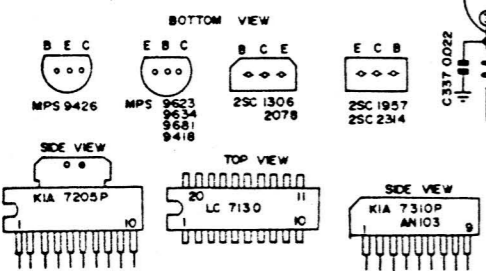
NOTE
 VOLTS AT TRANSMIT CONDITION
 ALL VOLTAGES MEASURED FROM P.C BOARD
 GND WITH DC VTM AT NO SIGNAL
 (AT 13.8V POWER SUPPLY) IF MEASUREMENT
 VALUES OBTAINED ARE IN EXCESS OF ±20% OF
 VALUES SHOWN
 THEN REASON FOR DIFFERENCE
 SHOULD BE CORRECTED



*VARIABLE **CONTROL NOT ACCESSIBLE FROM SIDE



SEMICONDUCTOR TERMINAL CONNECTION



- C340 - 341: 349 359 324 0.01 X5
- C342 - C343: 0047 X2
- C344 - 27P
- C365 - 18P
- C346 - 5P
- C351 - 30P
- C364 - 100P
- C354: 0.001

MIDLAND 2001 (AM)