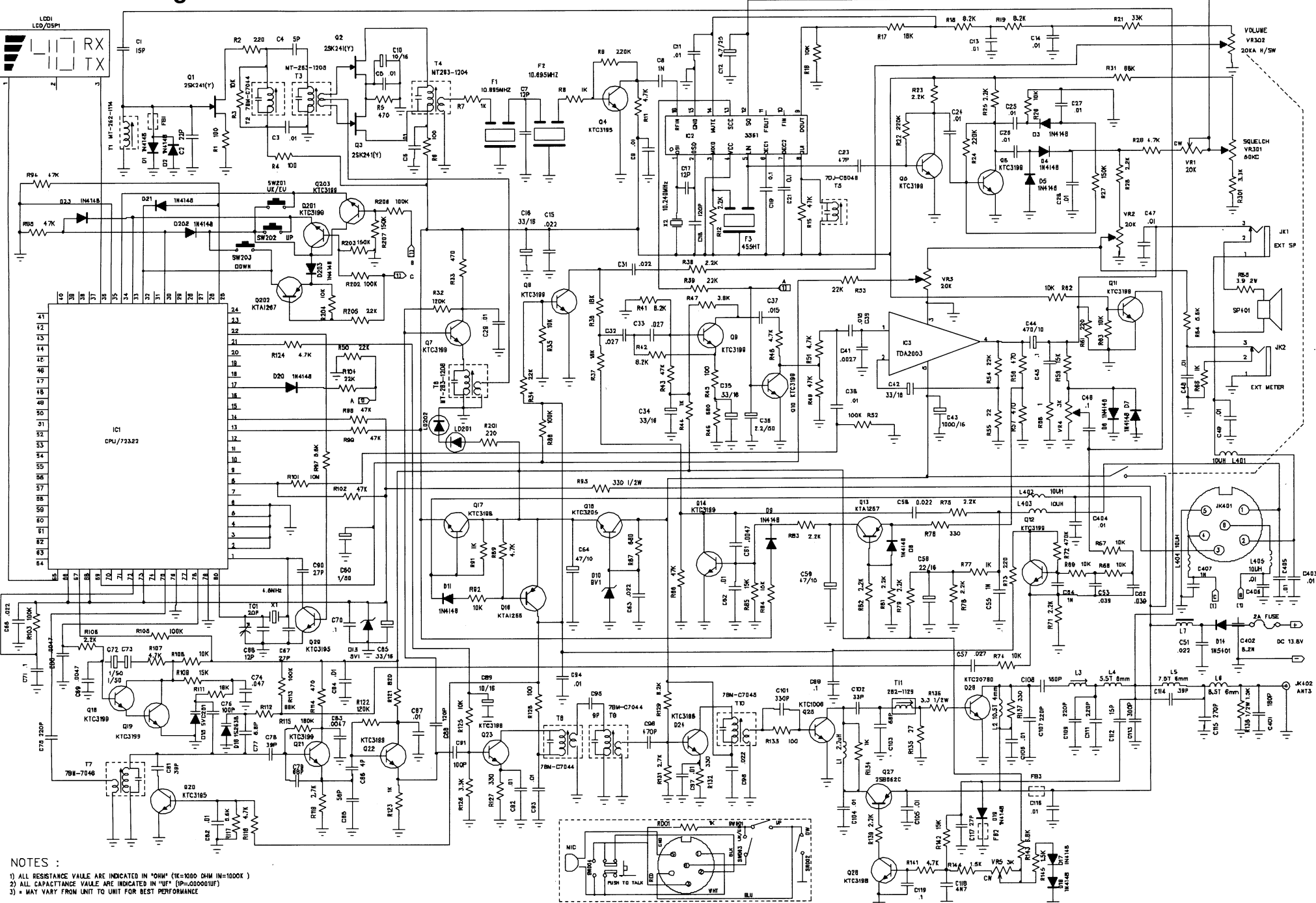


Schematic Diagram

(K6107 UK/EU FM CB TRANSCEIVER) SCHEMATIC DIAGRAM



- NOTES :
- 1) ALL RESISTANCE VALUE ARE INDICATED IN *OHM* (1K=1000 OHM IN=1000K)
 - 2) ALL CAPACITANCE VALUE ARE INDICATED IN *UF* (P=0.00001UF)
 - 3) * MAY VARY FROM UNIT TO UNIT FOR BEST PERFORMANCE