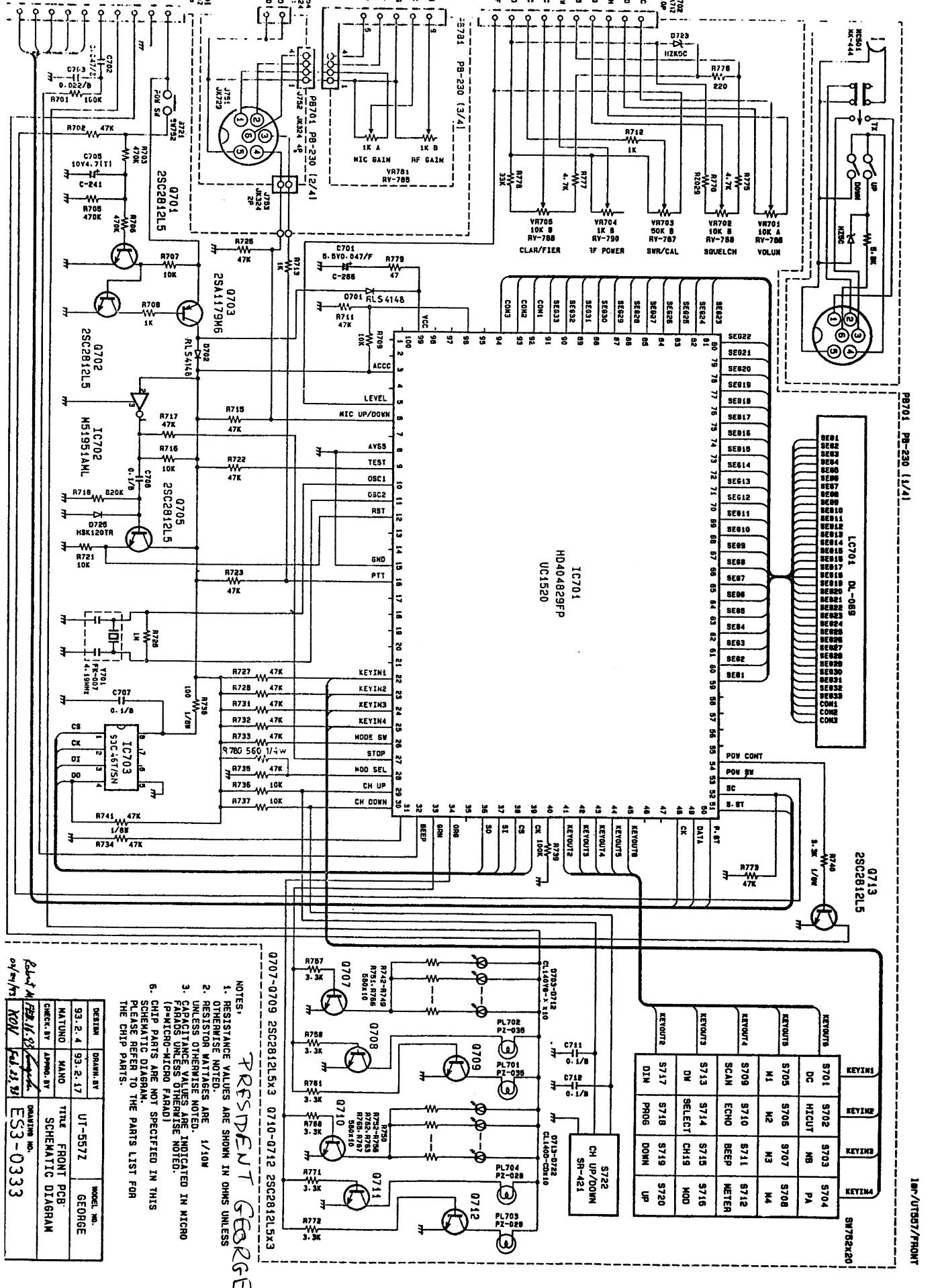
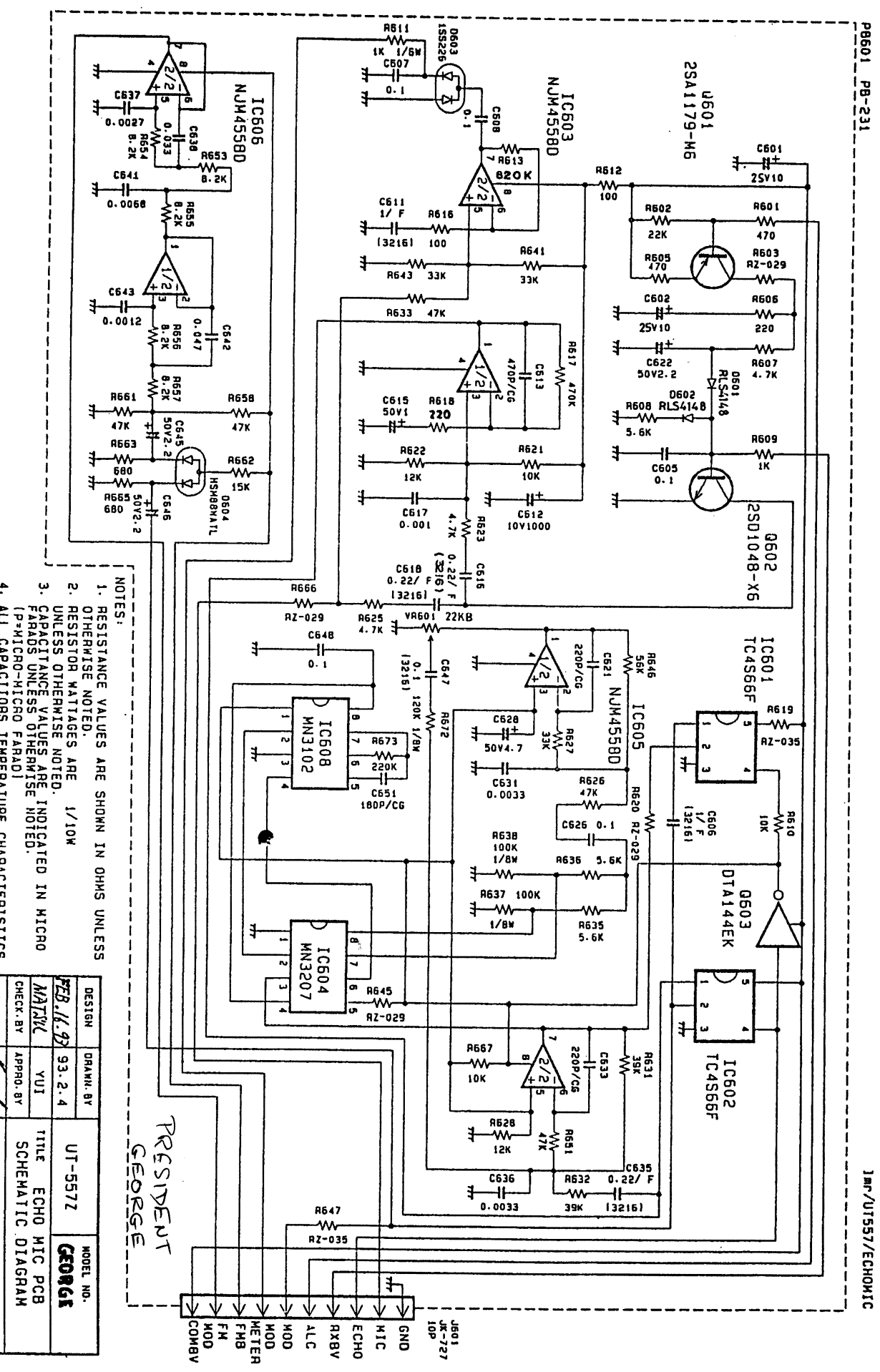


DESIGN	DRAWN BY	MODEL NO.
FEB 16 93	UT-5572	GEORGE
MAN/VC	YUI	ECHO MIC PCB
CHECK BY	APPRO. BY	SCHEMATIC DIAGRAM
FEB 16 93		DRAWING NO.
NON		ES4-0334
NO.		P.E.E

IC	FUNCTION	IC	FUNCTION
IC701	IC701	IC703	IC703
IC601	IC601	IC602	IC602
IC603	IC603	IC604	IC604
IC605	IC605	IC606	IC606
IC607	IC607	IC608	IC608
IC609	IC609	IC610	IC610
IC611	IC611	IC612	IC612
IC613	IC613	IC614	IC614
IC615	IC615	IC616	IC616
IC617	IC617	IC618	IC618
IC619	IC619	IC620	IC620
IC621	IC621	IC622	IC622
IC623	IC623	IC624	IC624
IC625	IC625	IC626	IC626
IC627	IC627	IC628	IC628
IC629	IC629	IC630	IC630
IC631	IC631	IC632	IC632
IC633	IC633	IC634	IC634
IC635	IC635	IC636	IC636
IC637	IC637	IC638	IC638
IC639	IC639	IC640	IC640
IC641	IC641	IC642	IC642
IC643	IC643	IC644	IC644
IC645	IC645	IC646	IC646
IC647	IC647	IC648	IC648
IC649	IC649	IC650	IC650
IC651	IC651	IC652	IC652
IC653	IC653	IC654	IC654
IC655	IC655	IC656	IC656
IC657	IC657	IC658	IC658
IC659	IC659	IC660	IC660
IC661	IC661	IC662	IC662
IC663	IC663	IC664	IC664
IC665	IC665	IC666	IC666
IC667	IC667	IC668	IC668
IC669	IC669	IC670	IC670
IC671	IC671	IC672	IC672
IC673	IC673	IC674	IC674
IC675	IC675	IC676	IC676
IC677	IC677	IC678	IC678
IC679	IC679	IC680	IC680
IC681	IC681	IC682	IC682
IC683	IC683	IC684	IC684
IC685	IC685	IC686	IC686
IC687	IC687	IC688	IC688
IC689	IC689	IC690	IC690
IC691	IC691	IC692	IC692
IC693	IC693	IC694	IC694
IC695	IC695	IC696	IC696
IC697	IC697	IC698	IC698
IC699	IC699	IC700	IC700
IC701	IC701	IC702	IC702
IC703	IC703	IC704	IC704
IC705	IC705	IC706	IC706
IC707	IC707	IC708	IC708
IC709	IC709	IC710	IC710
IC711	IC711	IC712	IC712
IC713	IC713	IC714	IC714
IC715	IC715	IC716	IC716
IC717	IC717	IC718	IC718
IC719	IC719	IC720	IC720
IC721	IC721	IC722	IC722
IC723	IC723	IC724	IC724
IC725	IC725	IC726	IC726
IC727	IC727	IC728	IC728
IC729	IC729	IC730	IC730
IC731	IC731	IC732	IC732
IC733	IC733	IC734	IC734
IC735	IC735	IC736	IC736
IC737	IC737	IC738	IC738
IC739	IC739	IC740	IC740
IC741	IC741	IC742	IC742
IC743	IC743	IC744	IC744
IC745	IC745	IC746	IC746
IC747	IC747	IC748	IC748
IC749	IC749	IC750	IC750
IC751	IC751	IC752	IC752
IC753	IC753	IC754	IC754
IC755	IC755	IC756	IC756
IC757	IC757	IC758	IC758
IC759	IC759	IC760	IC760
IC761	IC761	IC762	IC762
IC763	IC763	IC764	IC764
IC765	IC765	IC766	IC766
IC767	IC767	IC768	IC768
IC769	IC769	IC770	IC770
IC771	IC771	IC772	IC772
IC773	IC773	IC774	IC774
IC775	IC775	IC776	IC776
IC777	IC777	IC778	IC778
IC779	IC779	IC780	IC780
IC781	IC781	IC782	IC782
IC783	IC783	IC784	IC784
IC785	IC785	IC786	IC786
IC787	IC787	IC788	IC788
IC789	IC789	IC790	IC790
IC791	IC791	IC792	IC792
IC793	IC793	IC794	IC794
IC795	IC795	IC796	IC796
IC797	IC797	IC798	IC798
IC799	IC799	IC800	IC800



DESIGN	DRAWN BY	MODEL NO.
93-2-4	UT-5572	GEORGE
MAN/VC	YUI	ECHO MIC PCB
CHECK BY	APPRO. BY	SCHEMATIC DIAGRAM
FEB 16 93		DRAWING NO.
NON		ES3-0333
NO.		P.E.E



- NOTES:
1. RESISTANCE VALUES ARE SHOWN IN OHMS UNLESS OTHERWISE NOTED.
 2. RESISTOR RATINGS ARE 1/10W UNLESS OTHERWISE NOTED.
 3. CAPACITANCE VALUES ARE INDICATED IN MICRO (P) MICRO (M) OR FARAD (F) UNLESS OTHERWISE NOTED.
 4. ALL CAPACITORS TEMPERATURE CHARACTERISTICS ARE B UNLESS OTHERWISE NOTED.
 5. CHIP PARTS ARE NOT SPECIFIED IN THIS SCHEMATIC DIAGRAM. PLEASE REFER TO THE PARTS LIST FOR THE CHIP PARTS.

DESIGN	DRAWN BY	MODEL NO.
FEB 16 93	UT-5572	GEORGE
MAN/VC	YUI	ECHO MIC PCB
CHECK BY	APPRO. BY	SCHEMATIC DIAGRAM
FEB 16 93		DRAWING NO.
NON		ES4-0334
NO.		P.E.E

RESIDENT
GEORGE

1MR/UT557/ECHO/MIC

1MR/UT557/FRONT