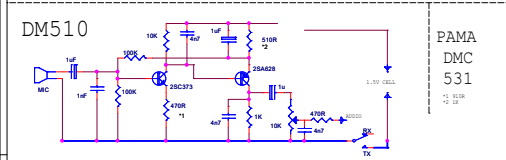
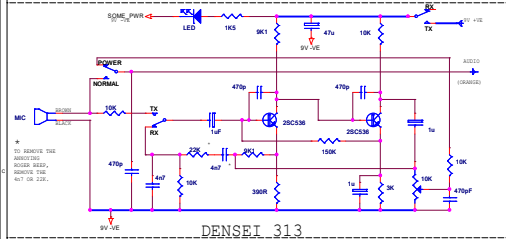


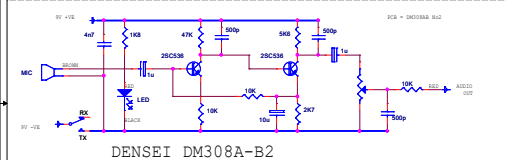
K40



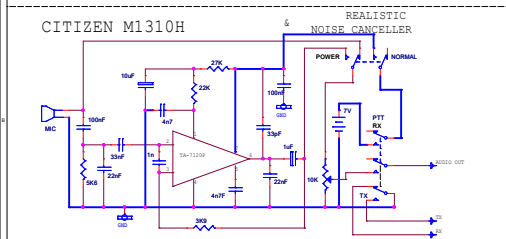
PAMA  
DMC  
531



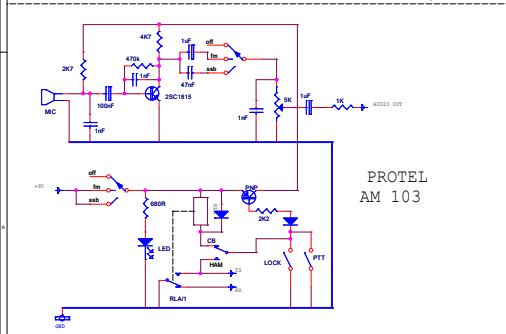
DENSEI 313



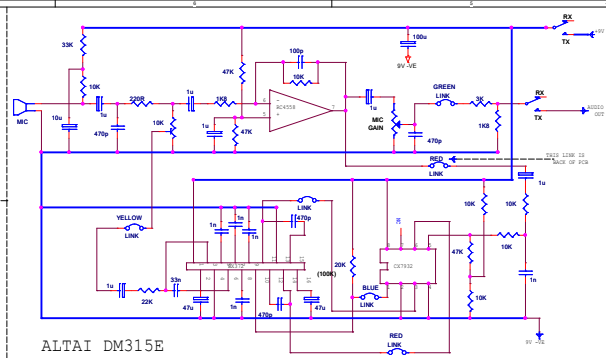
DENSEI DM308A-B2



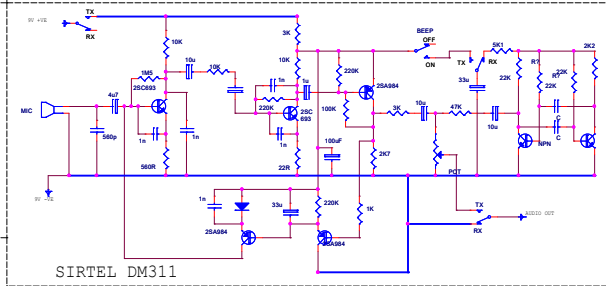
CITIZEN M1310H



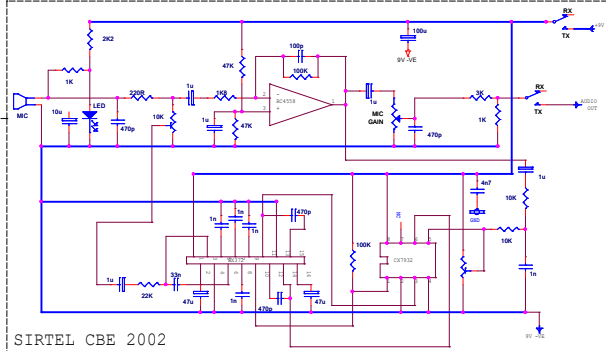
PROTEL  
AM 103



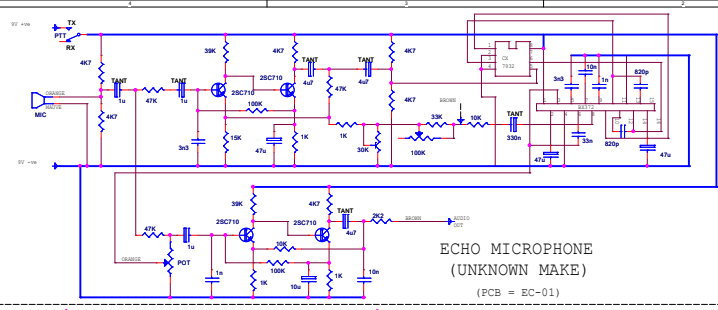
ALTAI DM315E



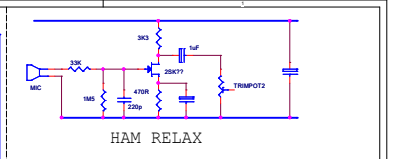
SIRTEL DM311



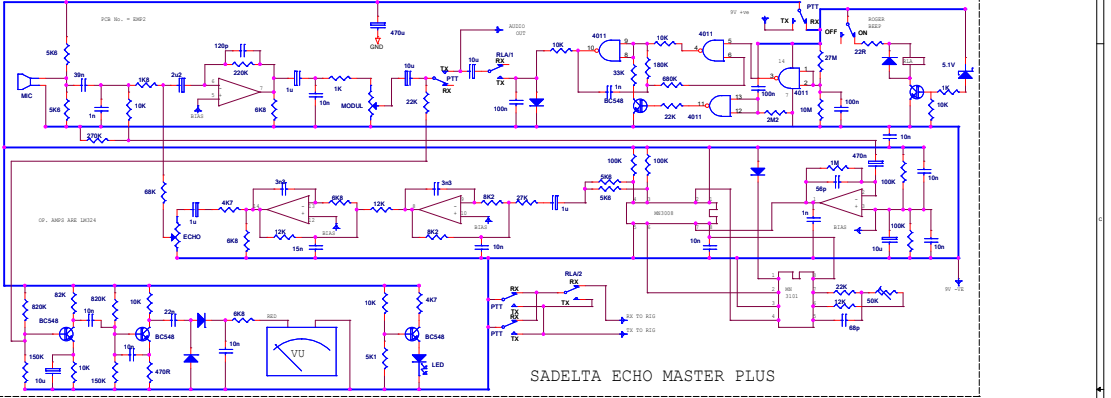
SIRTEL CBE 2002



ECHO MICROPHONE  
(UNKNOWN MAKE)  
(PCB = EC-01)



HAM RELAX



SADELTA ECHO MASTER PLUS

ANY SUGGESTIONS FOR IMPROVEMENTS OR CORRECTIONS OF ERRORS SHOULD BE ADDRESSED TO ME AT THE EMAIL ADDRESS GIVEN IN THE TITLE BLOCK AT THE BOTTOM RIGHT HAND CORNER.

**Copyright:**

This diagram is my copyright. You are welcome to use the diagram for your own personal use and to use it to repair radios commercially, however you are not permitted to publish the diagram by any means (electronically, hardcopy or otherwise) without paying royalties to me (Colin Hinson). The website <http://www.cbtricks.com> has my permission to host this pdf document.

# POWER AND ECHO MICROPHONES

DRAWN BY : Colin Hinson, EMAIL: [CBdiagrams@lunham.com](mailto:CBdiagrams@lunham.com)

Doc No	CS MICROPHONES	Rev	1
Doc Desc	Document Number	Doc Date	17/2/2011
Doc Title	MICCS CS	Doc Size	17/2/2011