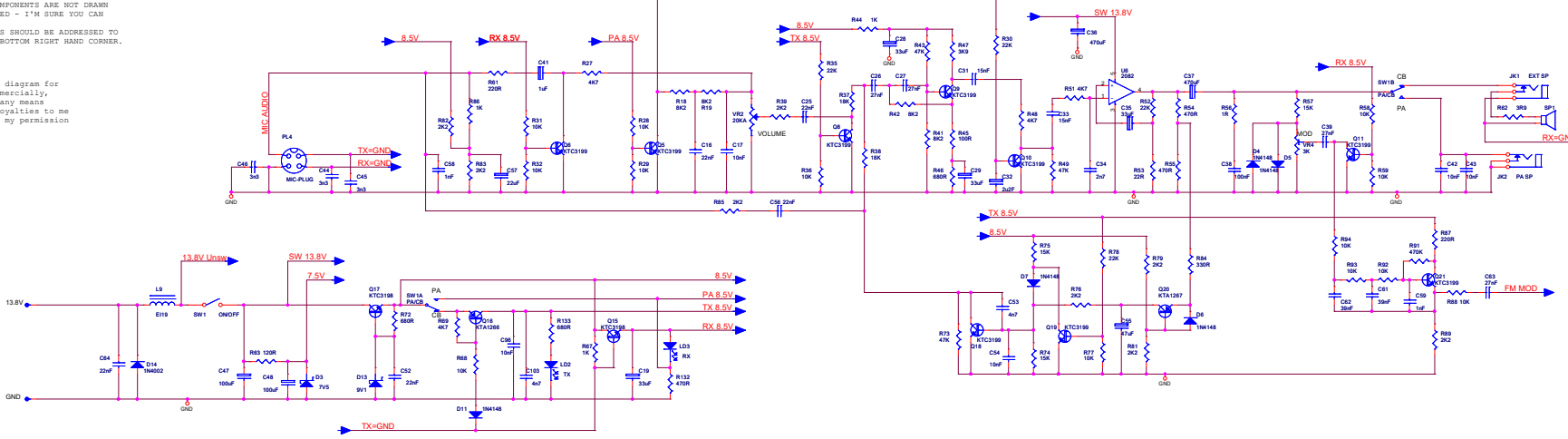
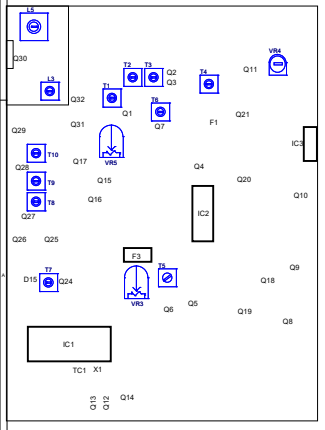


THIS DIAGRAM IS AN ATTEMPT TO MAKE THE CIRCUIT EASIER TO FOLLOW THAN THE ORIGINAL.  
 OF NECESSITY THIS MEANS THAT THE FRONT AND REAR PANEL COMPONENTS ARE NOT DRAWN  
 TOGETHER (AS ON THE ORIGINAL) BUT ARE DRAWN WHERE REQUIRED - I'M SURE YOU CAN  
 FIGURE OUT WHERE THEY ARE. :-)  
 ANY SUGGESTIONS FOR IMPROVEMENTS OR CORRECTIONS OF ERRORS SHOULD BE ADDRESSED TO  
 ME AT THE EMAIL ADDRESS GIVEN IN THE TITLE BLOCK AT THE BOTTOM RIGHT HAND CORNER.

**Copyright:**  
 This diagram is my copyright. You are welcome to use the diagram for  
 your own personal use and to use it to repair radios commercially,  
 however you are not permitted to publish the diagram by any means  
 (electronically, hardcopy or otherwise) without paying royalties to me  
 (Colin Hinson). The website <http://www.cbtricks.com> has my permission  
 to host this pdf document.



# MIDLAND 77-095